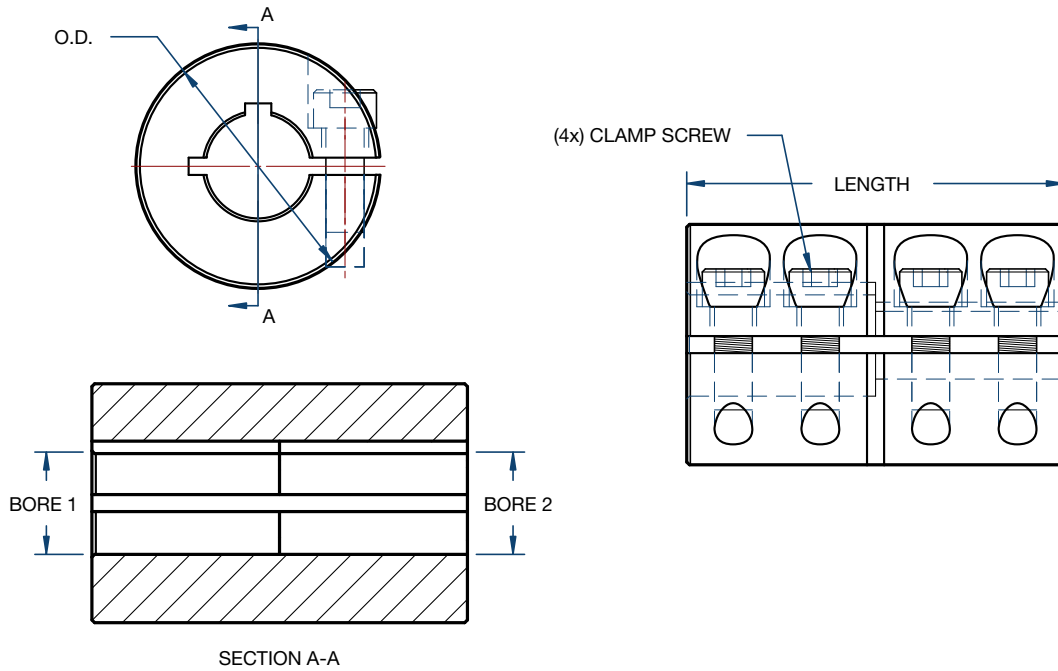


Clamping Couplings

SPLIT WITH KEYWAY



Part Number	Bore 1 & 2 Size	O.D.	Length	Clamp Screw	Approx. Weight (lbs)
CC-037-037-KW	3/8	7/8	1-3/8	6-32 x 3/8	0.16
CC-050-050-KW	1/2	1-1/8	1-3/4	8-32 X 1/2	0.36
CC-062-062-KW	5/8	1-5/16	2	10-32 X 1/2	0.53
CC-075-075-KW	3/4	1-1/2	2-1/4	1/4-28 X 5/8	0.76
CC-087-087-KW	7/8	1-5/8	2-1/2	1/4-28 X 5/8	0.96
CC-100-100-KW	1	1-3/4	3	1/4-28 X 5/8	1.25
CC-112-112-KW	1-1/8	1-7/8	3-1/8	1/4-28 X 5/8	1.38
CC-125-125-KW	1-1/4	2-1/16	3-1/4	1/4-28 X 3/4	1.78
CC-137-137-KW	1-3/8	2-1/4	3-1/2	1/4-28 X 3/4	2.31
CC-150-150-KW	1-1/2	2-5/8	3-7/8	5/16-24 X 1	3.09
CC-175-175-KW	1-3/4	3-1/8	4-1/2	3/8-24 X 1	6.39
CC-200-200-KW	2	3-3/8	4-7/8	3/8-24 X 1	6.69

NOTE: Keyseats follow ANSI B17.1 standards.